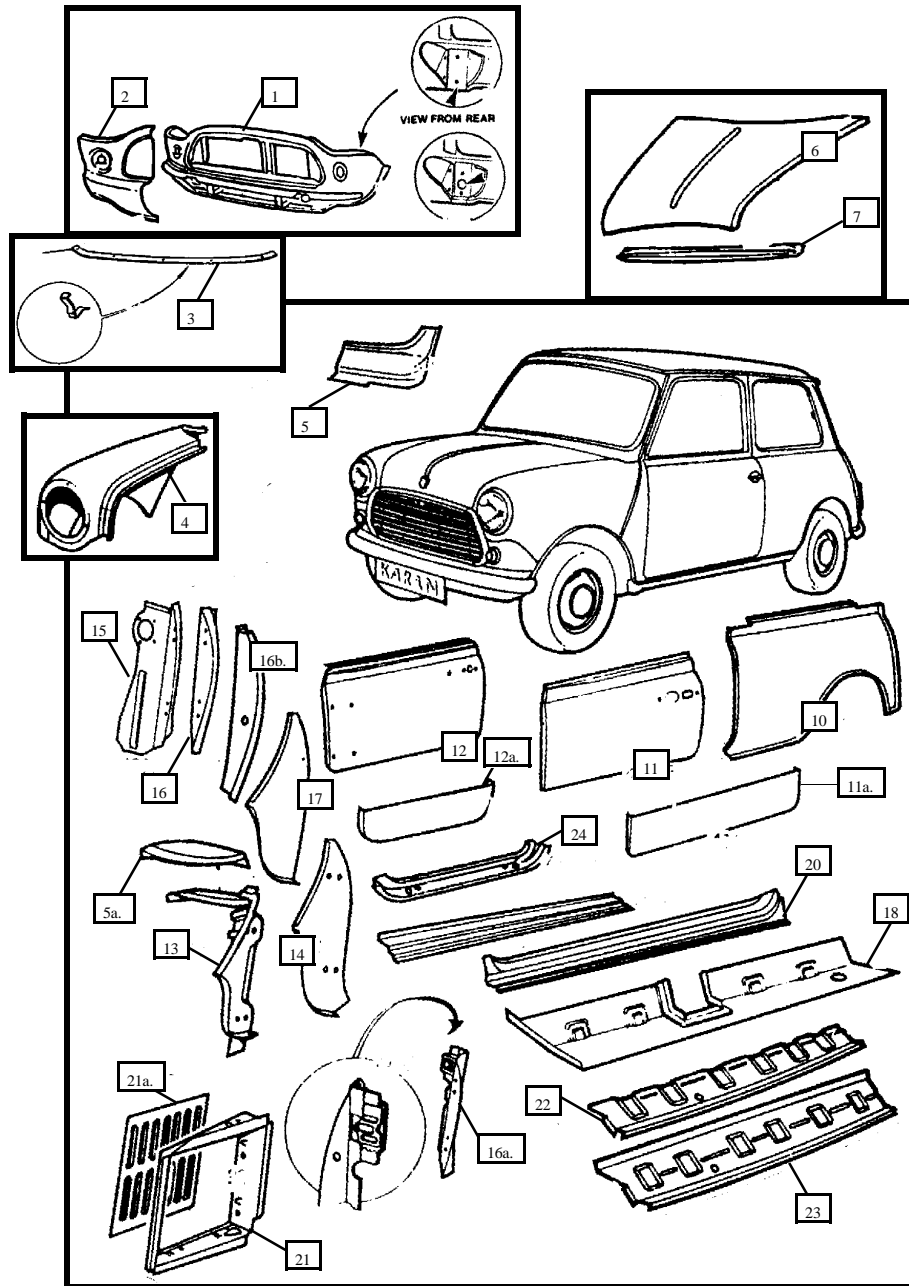


BODY PANELS

Qty. Req'd.

REPRODUCTION BODY PANELS – State R or L Hand when Ordering

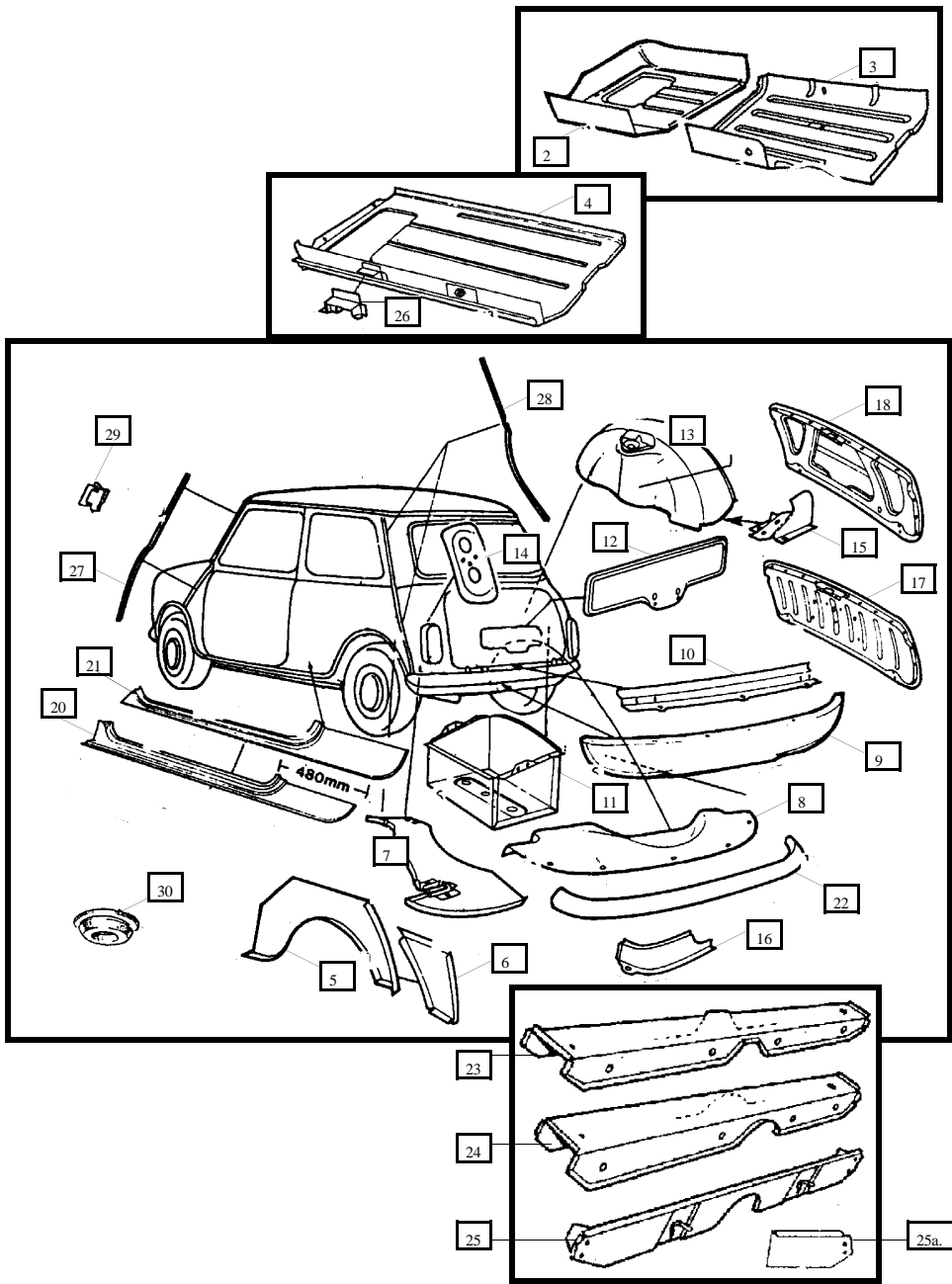


1.	MM70E	Front Panel Assembly – '59 to '76	-----1
1.	MM70L	Front Panel Assembly – '76 to '80	-----1
2.	MM71	Front 1/4 Panel – State R/H or L/H	-----2
3.	MM1061	Front Bumper Support	-----1
4.	MM72	Front Wing – State R/H or L/H	-----2
5.	MM79	Windshield Corner Repair – 8" - State R/H or L/H	-----2
5a.	MM118	Under Wing Splash Shield – State R/H or L/H	-----2
6.	MM76	Bonnet – MK3 (includes MM77)	-----1
6.	MM725	Bonnet – MK1 & MK2	-----1
7.	MM77	Upper Grille Moulding Support	-----1
10.	MM115	Rear Wing – State R/H or L/H	-----2
10.	MM1033	Rear Wing – MK1 – R/Hand	-----1
10.	MM1034	Rear Wing – MK1 – L/Hand	-----1
11.	MM74	Door Skin – MK3 – State R/H or L/H	-----2
11a.	MM619	Door Skin Repair – Lower – MK3 – State R/H or L/H	-----2
12.	MM715	Door Skin – MK1&2 – State R/H or L/H	-----2
12a.	MM75	Door Skin Repair – Lower – MK1&2	-----2
13.	MM82	Inner 'A' Panel – MK1 & MK2 – to '69 – Outside Hinges	-----2
14.	MM84	Outer 'A' Panel – MK1 & MK2 – to '69 – Outside Hinges	-----2
15.	MM618	Inner Flitch with Vent Hole – MK3 State R/H or L/H	-----2
16.	MM107	Door Post Repair – Partial – MK3 – Inside Hinges – State R/H or L/H	-----2
16a.	MM630	Door Post with Checkstrap Bracket - State R/H or L/H	-----2
16b.	MM634	Door Post – MK1&2 – State R/H or L/H	-----2
17.	MM85	Outer 'A' Panel – MK3 – '70 to '80 – Inside Hinges – State R/H or L/H	-----2
18.	MM86	Inner Sill – State R/H or L/H	-----2
20.	MM51	Step Panel with Curves – State R/H or L/H	-----2
21.	MM708	Radiator Cowl	-----1
21a.	MM709	Radiator Grille	-----1
22.	MM89	Outer Sill – Std. Width 4" - MK3 State R/H or L/H	-----2
22.	MM710	Outer Sill – Std. Width 4" - MK1 & MK2 – State R/H or L/H	-----2
23.	MM90	Outer Sill – Wide Width 7" - State R/H or L/H	-----2
24.	MM716	Door Bottom Repair – MK1&2	-----2
	MM1037	Headlight Repair Ring (not shown)	-----2

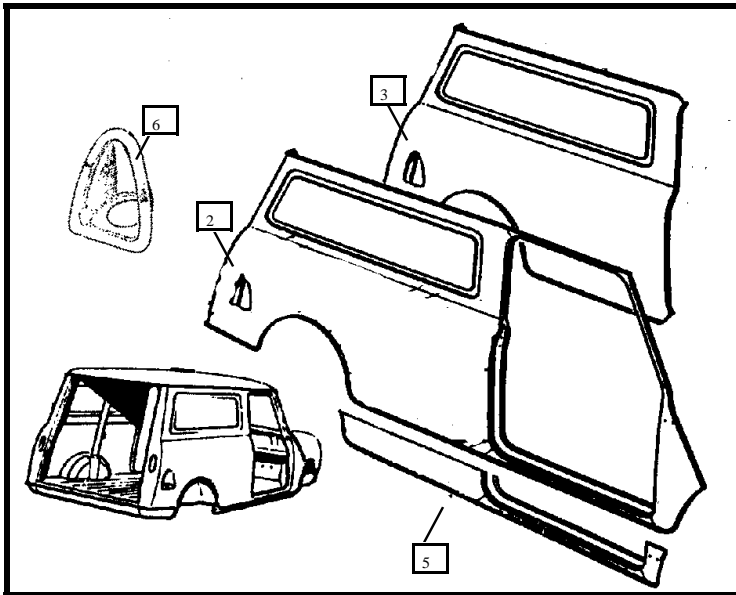
BODY PANELS CONT'D

Qty. Req'd.

REPRODUCTION BODY PANELS – State R or L Hand when Ordering



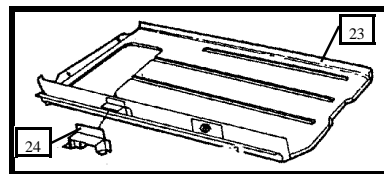
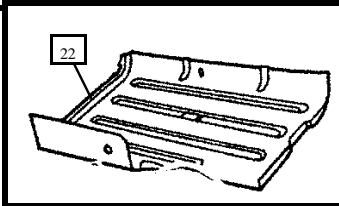
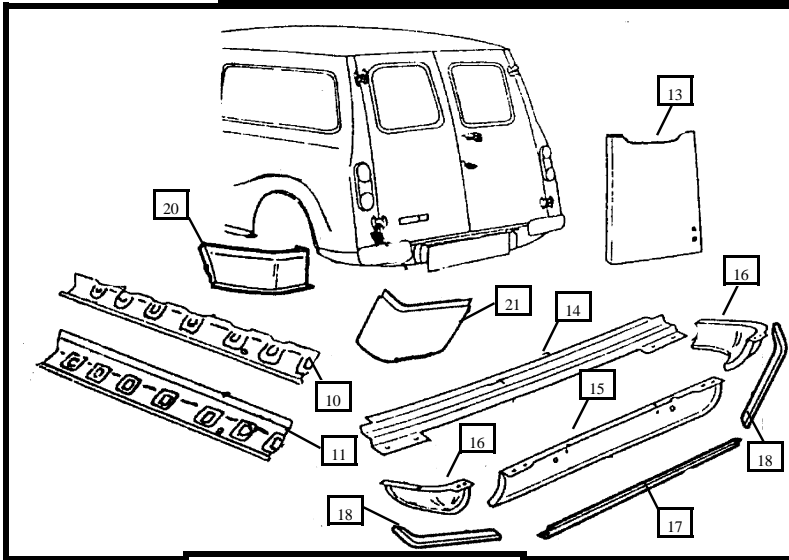
2.	MM95	Front Floor Pan – State R/H or L/H	-----2
3.	MM96	Rear Floor Pan – State R/H or L/H	-----2
4.	MM713	Full Floor – 1 Side – MK3 – State R/H or L/H	-----2
5.	MM712	Rear Wing Repair – All Models – State R/H or L/H	-----2
6.	MM717	Rear Wing Corner Repair – All Models – State R/H or L/H	-----2
7.	MM724	Boot Floor Side Section – State R/H or L/H	-----2
8.	MM93	Boot Floor Pan – Partial – 10” Deep	-----1
9.	MM92	Rear Valance	-----1
10.	MM80	Boot Hinge Repair Section	-----1
11.	MM94	Battery Box	-----1
12.	14A6468	License Plate Holder – MK1 & MK2	-----1
13.	MM178	Inner Wheel Arch – state L/H or R/H	-----2
14.	MM620	MKI Tail Light Insert Repair – R/Hand	-----2
14.	MM621	MKI Tail Light Insert Repair – L/Hand	-----2
15.	MM720	Inner Wheel Arch Stiffener – state L/H or R/H	-----2
16.	MM622	Below Tail Light Repair – R/Hand	-----2
16.	MM623	Below Tail Light Repair – L/Hand	-----2
16.	HMP441009	Below Tail Light – Full Section	-----1
17.	MM052	Boot Lid – MK1	-----1
18.	MM91	Boot Lid – MK3	-----1
20.	MM113	Side Panel Above Sill – MK3 – State R/H or L/H	-----2
21.	MM88	Side Panel Above Sill – MK1 & MK2 – State R/H or L/H	-----2
22.	MM114	Rear Bumper – O/E stainless steel	-----1
22.	MM115	Rear Bumper – stainless steel	-----1
23.	MM585	Crossmember – ‘74 to ‘80	-----1
24.	MM584	Crossmember – ‘59 to ‘74	-----1
25.	MM1060	Subframe Mount Panel – all years	-----1
25a.	MM105	Subframe Mount Panel Repair 12” wide – state L/H or R/H	-----1
26.	MM714	Jacking Point Reinforcement Bracket – State R/H or L/H	-----2
27.	MM81	Seam Finisher – Front	-----2
28.	MM109	Seam Finisher – Rear – State R/H or L/H	-----2
29.	BMP128	Seam Finisher Clip	-----A/R
30.	B254	Blanking Plug – Front & Rear Floor – Rubber	-----A/R
30.	B255	Blanking Plug – Boot Floor – Rubber	-----A/R
30.	14A7090	Blanking Plug – Battery Box – Rubber	-----A/R
32.	MM1031	Floor Tunnel Mk. I (not shown)	-----1

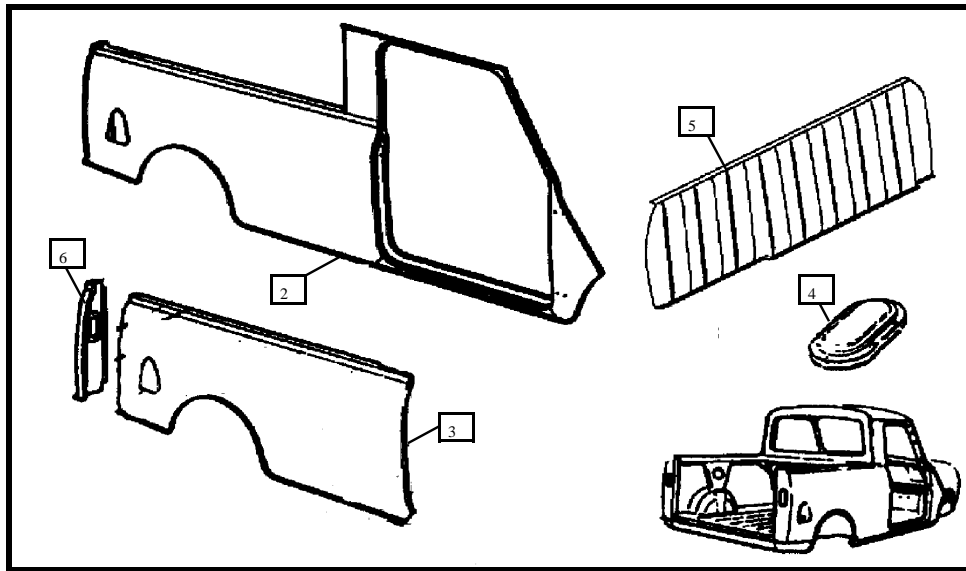


VAN & ESTATE (Wagon) BODY PANELS

Qty. Req'd.

- | | | | |
|-----|---------|--|---|
| 2. | ALA8322 | Side Panel – Full – Van – R/H – NLA----- | 1 |
| 2. | ALA8323 | Side Panel – Full – Van – L/H – NLA----- | 1 |
| 3. | 14A6897 | Side Panel – Partial – Van – R/H-- | 1 |
| 3. | 14A6898 | Side Panel – Partial – Van – L/H-- | 1 |
| 5. | MM103R | Doorstep and Lower Panel – R/H-- | 1 |
| 5. | MM103L | Doorstep and Lower Panel – L/H-- | 1 |
| 6. | 14A8152 | Filler Neck Cowl – Van ----- | 1 |
| | | | |
| 10. | MM101 | Outer Sill – Van/Wagon – Std. 4” - State R/H or L/H----- | 2 |
| 11. | MM102 | Outer Sill – Van /Wagon – Wide 7” - State R/H or L/H ----- | 2 |
| 13. | MM97 | Rear Door Repair – Partial (Door Bottom to Window)
State R/H or L/H ----- | 2 |
| 14. | MM98 | Rear Step Panel – Van/Wagon ----- | 1 |
| 15. | MM99 | Rear Centre Valance – Van/Wagon/Pick-up ----- | 1 |
| 16. | MM100 | Rear Corner Valance – Van/Wagon/Pick-up – R/H or L/H----- | 2 |
| 17. | MM110 | Seam Finisher – Centre Valance--- | 1 |
| 18. | BMP131 | Seam Finisher – Corner Valance -- | 2 |
| 20. | MM721 | Van/Wagon Corner Repair – State R/H or L/H----- | 2 |
| 21. | MM723 | Van/Wagon Corner Repair – Partial – State R/H or L/H----- | 2 |
| | | | |
| 22. | MM711 | Rear Floor Pan – Van/Wagon – State R/H or L/H----- | 2 |
| 23. | MM1036 | Full Floor – State R/H or L/H ----- | 2 |
| 24. | MM714 | Jacking Point Reinforcement Bracket – State R/H or L/H ----- | 2 |

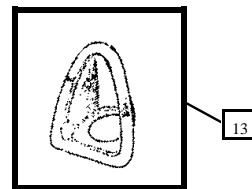
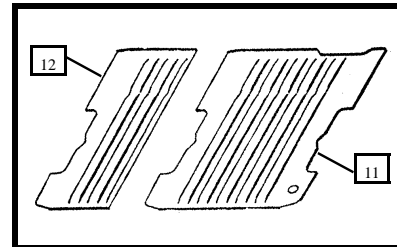
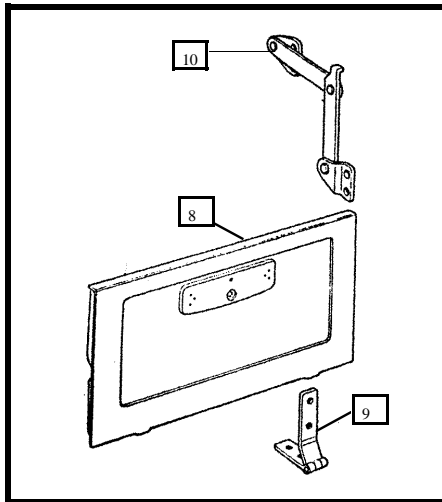




PICK-UP BODY PANELS

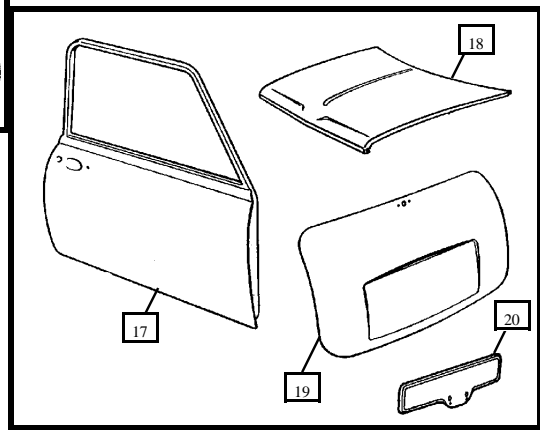
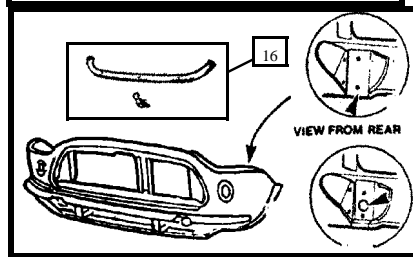
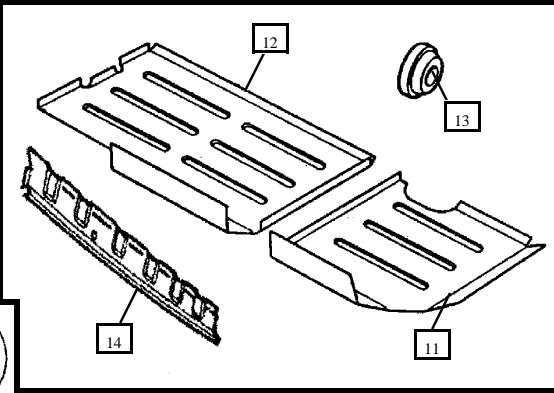
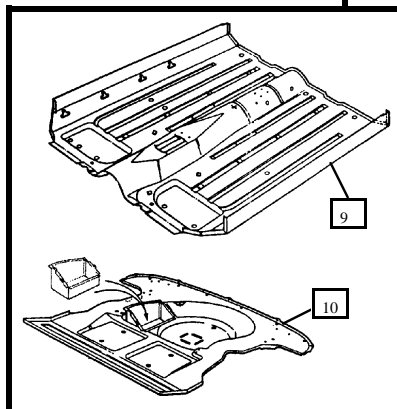
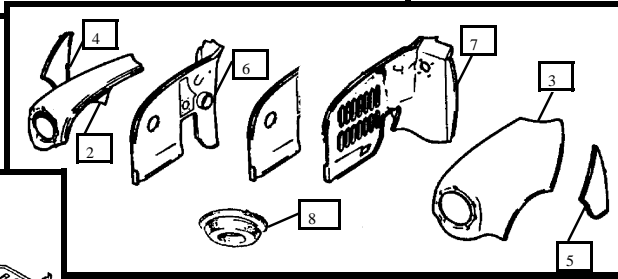
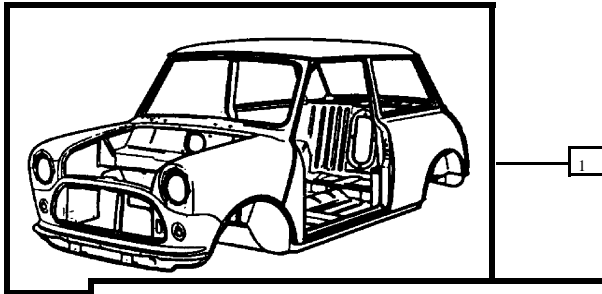
Qty. Req'd.

2.	ALA8346	Side Panel – Full – Pick-up – R/H – NLA -----	1
2.	ALA8347	Side Panel – Full – Pick-up – L/H – NLA -----	1
3.	MM1054	Side Panel – Partial – Pick-up – R/H -----	1
3.	MM1055	Side Panel – Partial – Pick-up – L/H -----	1
4.	88G486	Roof Vent -----	1
5.	MM1053	Cab Rear Panel – Pick-up -----	1
6.	14A7557	Rear Tail Light Housing – R/H ----	1
6.	14A7558	Rear Tail Light Housing – L/H ----	1
8.	CZH3293	Tailgate Pick-up -----	1
9.	14A7755	Tailgate Hinge-----	2
10.	14A7761	Tailgate Stay – R/H -----	1
10.	14A7762	Tailgate Stay – L/H-----	1
11.	MM1057	Bed Floor – Full -----	1
12.	MM1056	Bed Floor – Partial – State R/H or L/H -----	2
13.	14A8152	Filler Neck Cowl – Pick-up-----	1
	MM1049	Wheel Arch Stiffner (not shown) -----	2



ORIGINAL EQUIPMENT BODY PANELS

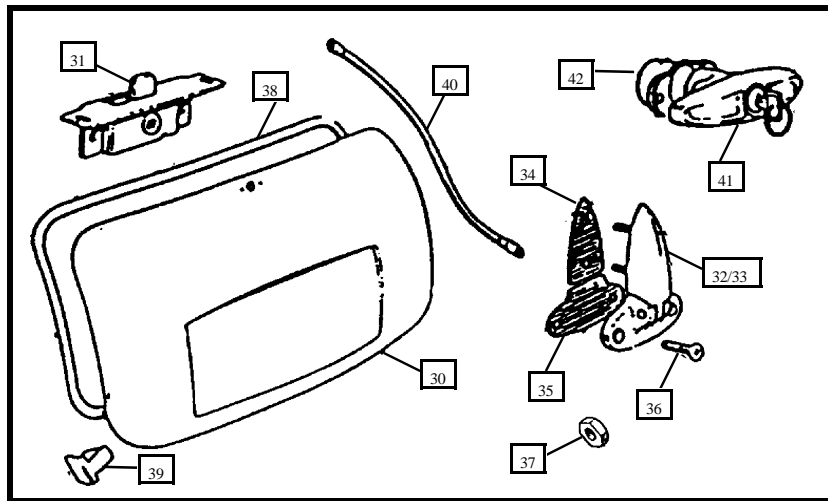
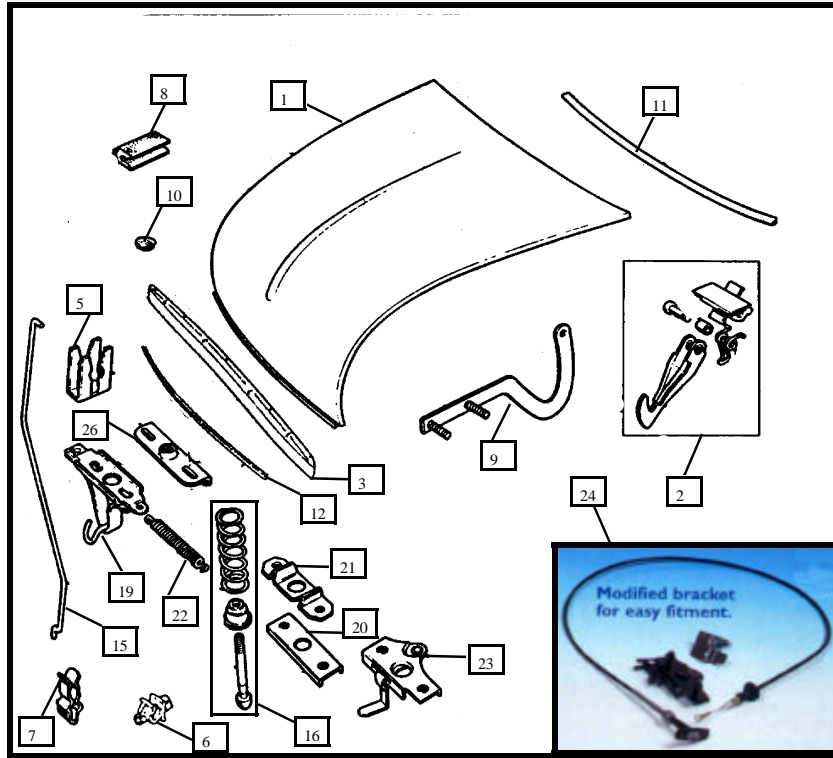
Qty. Req'd.



- 1. CZH3247B HERITAGE Bodyshell Assembly – ‘77 on -----1
- CZH3247F HERITAGE Bodyshell Complete Assembly – 77’ - on -----1
- 2. 14A6476 Front Wing – R/H -----1
- 2a. HMP441001 Front Windsheild Scuttle Panel -- -----1
- 3. 14A6477 Front Wing – L/H-----1
- 4. ALA5660 Outer ‘A’ Panel – R/H-----1
- 5. ALA5661 Outer ‘A’ Panel – L/H -----1
- 6. CZH460 Flitch Panel – R/H-----1
- 6a. MM78L/R Flitch Panel repair – partial (specify L or R) -----1
- 7. ALA6475 Flitch Panel – L/H-----1
- 7. ABD36007 Flitch Panel – L/H (heater hose hole) -----1
- 8. 2H7274 Rubber Buffer Plug – Flitch Panels -----2
- 9. CZH2669 Full Floor-----1
- 10. HMP441016Boot Floor – Includes Battery Box -----1
- 11. BHM9 Front Floor Panel – R/H-----1
- 11. BHM10 Front Floor Panel – L/H-----1
- 12. BHM11 Rear Floor Panel – R/H-----1
- 12. BHM12 Rear Floor Panel – L/H-----1
- 13. 14A7081 Rubber Plug – Rear Floors -----4
- 14. BHM3 Outer Sill – R/H- -----1
- 14. BHM4 Outer Sill – L/H- -----1
- 15. ALA8619 Front Panel Assembly – ‘77 on – Includes 14A7242 -----1
- 16. 14A7242 Front Bumper Support Piece -----1
- 17. BMP322 Door Assembly – MK3 – R/H o/e - -----1
- 17. BMP323 Door Assembly – MK3 – L/H o/e - -----1
- 18. CZH455 Bonnet Assembly – MK3-----1
- 19. BMP339 Boot Lid – MK3- -----1
- 20. 14A6468 Rear Number Plate Bracket – MKI -----1
- 21. HMP441012 Door Post & Step R/H -----1
- 22. HMP441013 Door Post & Step L/H -----1

BONNET & BOOT FITTINGS

Qty. Req'd.



1.	MM725	Bonnet – MK1 & MK2	-----1
1.	MM76	Bonnet – MK3	-----1
2.	ALA7608	Safety Catch	-----1
3.	MM77	Grille Moulding Support – MK3	-----1
5.	24A859	Prop Fastening Clip	-----1
6.	GHF1120	Prop Retaining Clip – Plastic	-----1
7.	CZH209	Prop Retaining Clip – Metal – MK3	-----1
8.	2H9215	Prop Retaining Clip – Rubber – MK1 & MK2	-----1
9.	CZH530	Bonnet Hinge – R/H – MK3 – Reco.	-----1
9.	CZH531	Bonnet Hinge – L/H – MK3 – Reco.	-----1
10.	14G6856	Buffer Plug – Rubber	-----2
11.	14A9010	Rear Bonnet Seal – O/E	-----1
11.	MM056	Rear Bonnet Seal – Aftermarket	-----1
12.	JRC7898	Front Bonnet Seal – O/E	-----1
12.	MM059	Front Bonnet Seal – Aftermarket	-----1
15.	24A857	Bonnet Prop	-----1
16.	14A6586	Bonnet Pin Assembly – 3 Pieces	-----1
19.	ALA6992	Bonnet Release Catch – to '76 – NLA	-----1
20.	ADH456	Release Catch Support Plate – NLA	-----1
21.	AAM1223	Guide Plate	-----1
22.	4G2494	Release Catch Return Spring	-----1
23.	AAM1206	Bonnet Release Catch – '77 to '80	-----1
24.	MM778	Bonnet Cable Lock Kit	-----1
26.	ADH4869	Bonnet Pin Plate	-----1
30.	MM91	Bootlid – MK3	-----1
30.	MM052	Bootlid – MKI	-----1
31.	14A5696	Lock Assembly	-----1
32.	CZH3272	Boot Hinge – R/H	-----1
33.	CZH3273	Boot Hinge – L/H	-----1
	MM1187	Chrome Boot Hinge (pair)	-----1
34.	24A2175	Hinge Gasket – Upper	-----2
35.	24A2176	Hinge Gasket – Lower	-----2
36.	MM825	Screw – Phillips- (for hinge)	-----4
37.	MM807	Nut	-----4
38.	14A6584	Boot Weather Seal (on Boot Lid)	-----1
38a.	CKE10018	Boot Weather Seal (on Body) not shown	-----1
39.	14A6585	Retaining Clip (for 14A6584)	-----26
40.	AAM273	Support Cable	-----2
41.	CZH1725	Boot Handle Assembly with Keys	-----1
42.	CZH1747	Sealing Bag – Rubber	-----1