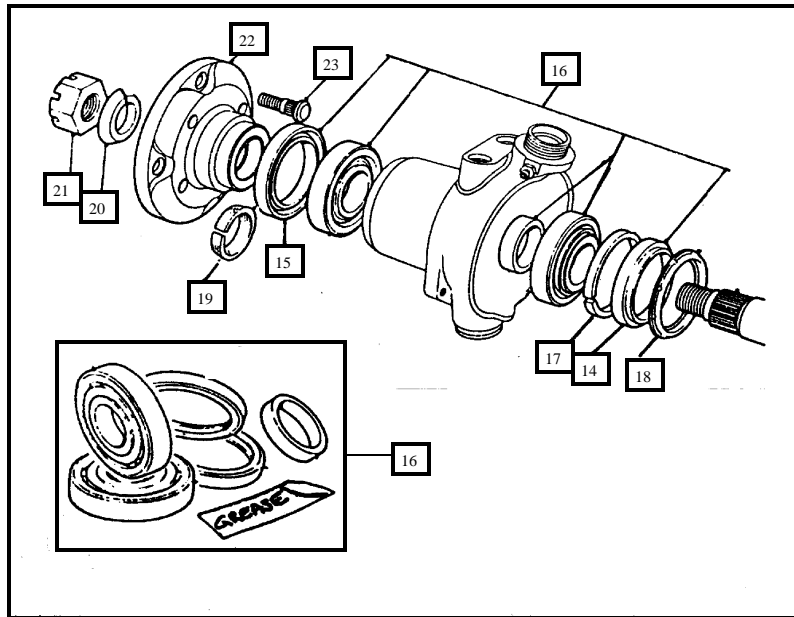
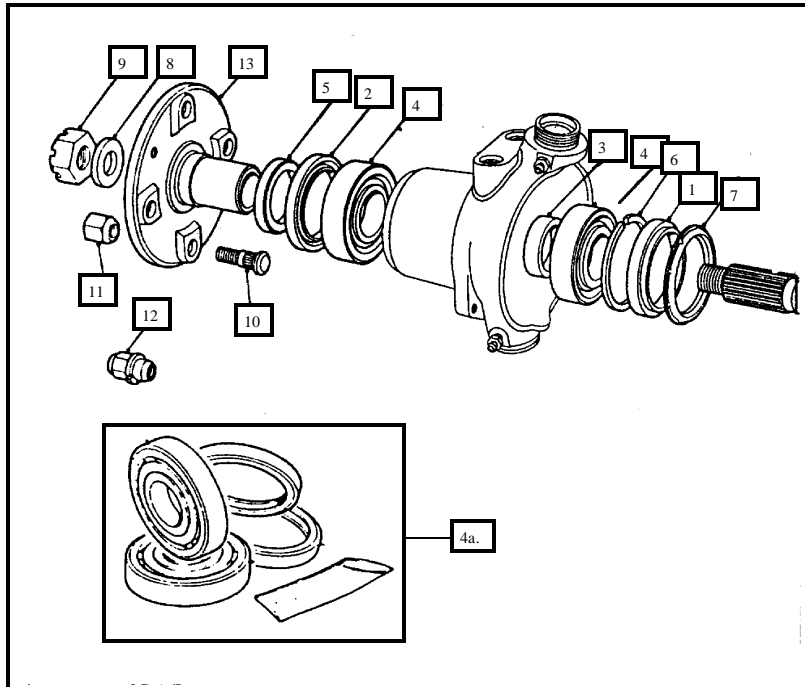


DRIVE SHAFT

Qty. Req'd.

1.	21A1760	Drive Shaft Assembly – R/H – Yoke Type to '74	-----1
1.	21A1761	Drive Shaft Assembly – L/H – Yoke Type to '74	-----1
2.	21A1696	Drive Shaft Yoke	-----2
3.	GCD102	Drive Coupling – Rubber – with U Bolts & Nuts	-----2
3.	QL5000	Drive Coupling Kit – Nylon Replacement (GDC102)	-----2
5.	22A132	U Bolt	-----4
6.	18G9029	Inner Boot Kit – for Sliding Yoke O/E	-----2
6.	MM283	Inner Boot Kit – for Sliding Yoke – aftermarket	-----2
8.	22A1961	Drive Shaft Assembly – R/H – Pot Type '74 to '80 – Long	-----1
8.	22A1960	Drive Shaft Assembly – L/H – Pot Type '74 to '80 – Short	-----1
9.	17H8600	Constant Velocity Joint – (CV Joint) – O/E	-----2
9.	MM293	Constant Velocity Joint – (CV Joint) – (rebuilt)	-----2
10.	17H8597	Circlip – CV Joint – Inner Thick	-----2
11.	17H8596	Circlip – CV Joint – Outer	-----2
12.	18G9027	CV Boot Kit – O/E	-----2
12.	MM279	CV Boot Kit – Aftermarket	-----2
13.	DAM667	Pot Joint Assembly	-----2
14.	BHM7012	Pot Joint Boot Kit – O/E	-----2
14.	MM053	Pot Joint Boot Kit – Aftermarket Replacement	-----2
15.	37H8706	Circlip – Pot Joint	-----2
16.	MM367	Ball Bearing – Pot Joint – .655"	-----6
16.	MM370	Ball Bearing – Pot Joint – .681"	-----6
20.	21A1857	Drive Shaft Assembly – R/H – Flange Type – Cooper 'S'	-----1
20.	21A1858	Drive Shaft Assembly – L/H – Flange Type – Cooper 'S'	-----1
21.	27H7880	Sliding Drive Flange Assembly – Cooper 'S'	-----2
22.	GUJ101	Universal Joint Kit – Cooper 'S'	-----2
23.	27H7882	Constant Velocity Joint – (CV Joint) – Cooper 'S'	-----2
23.	27H7882R	Constant Velocity Joint – (CV Joint) – (reconditioned)	-----2
24.	18G9028	CV Boot Kit – O/E – Cooper 'S'	-----2
24.	MM279	CV Boot Kit – Aftermarket – Cooper 'S'	-----2
25.	17H8597	Circlip – CV Joint – Inner – Thick – Cooper 'S'	-----2
26.	17H8596	Circlip – CV Joint – Outer – Thin – Cooper 'S'	-----2
27.	22A1152	Diff Drive Flange – Steel UJ's – Cooper 'S'	-----2
28.	22A1139	Bolt for Drive Flange – Cooper 'S'	-----2
29.	88G493	Drive Flange Collett – Cooper 'S'	-----2
30.	22A1566	Sealing Ring – Cooper 'S'	-----2
31.	22A1201	Plain Washer	-----2
32.	22A1104	Bolt – Drive Flange to Output Shaft – Cooper 'S'	-----2



WHEEL BEARINGS

		Qty. Req'd.
1.	GHS173	Hub Seal – Inner -----2
2.	GHS101	Hub Seal – Outer -----2
3.	21A233	Distance Spacer – Inner -----2
4.	GHB211	Bearing – Inner & Outer – NLA us BKS1 -----4
4a.	BKS1	Front Wheel Bearing Kit – Bearings, Seals, Grease -----2
5.	2A4295	Drive Shaft Collar -----2
6.	2A4361	Distance Spacer – Outer -----2
7.	MM024	Dust Shield – Plastic -----2
8.	2A7323	Washer – Plain – Thick – Drive Flange -----2
9.	21A79	Nut – Drive Flange Retaining -----2
10.	21A2064	Wheel Stud -----8
11.	88G322	Wheel Nut -----8
11.	MM151	Wheel Nut – Chrome – Set of 16 -----1
12.	FAM5701	Wheel Nut – with Hub Cap Retaining Clip – '77 on -----8
13.	21A231	Drive Flange -----2
13.	BTA191	Drive Flange – 998cc Cooper -----2

— Cooper 'S' —

14.	GHS173	Hub Seal – Inner -----2
15.	GHS101	Hub Seal – Outer -----2
16.	BKS29	Front Wheel Brg. Kit – Bearings, Seals, Grease – Cooper 'S' -2
17.	21A1307	Distance Spacer – Inner – Cooper 'S' -----2
18.	MM024	Dust Shield – Plastic -----2
19.	BTA663	Drive Flange Collar – Inner – Cooper 'S' -----2
20.	FAM9270	Drive Flange Collar – Outer – Cooper 'S' -----2
21.	BTA249	Nut – Drive Flange Retaining – Cooper 'S' -----2
22.	21A1270	Drive Flange – Cooper 'S' -----2
23.	21A2064	Wheel Stud -----8
24.	SF604051	Screw – Drive Flange – Cooper 'S' -----