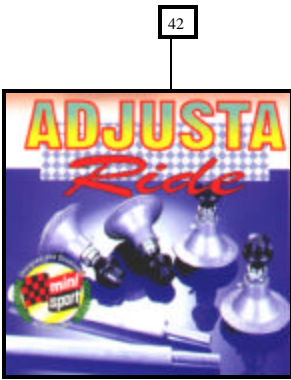
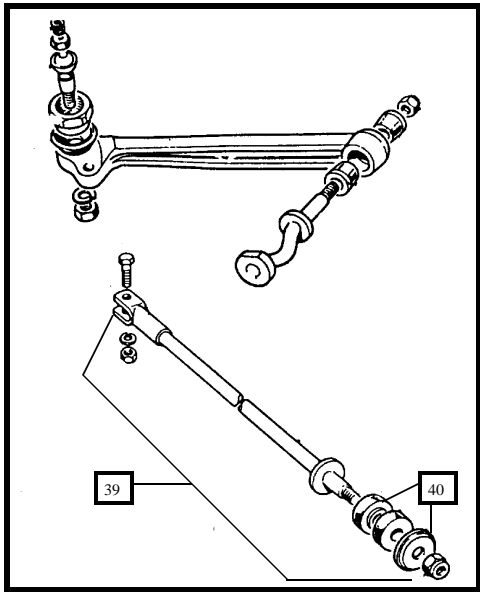
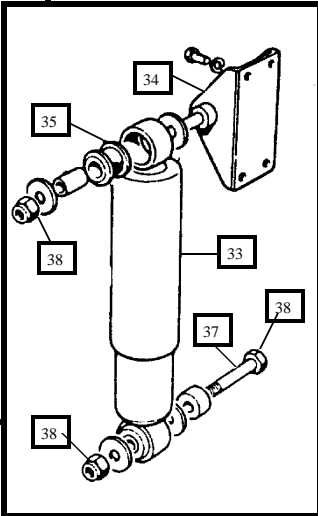
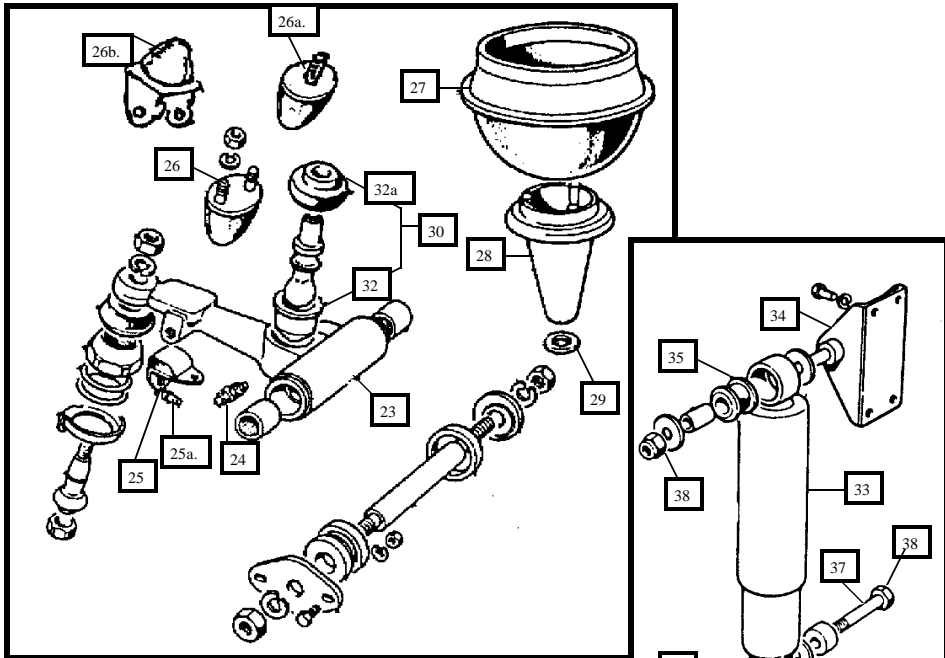


FRONT SUSPENSION

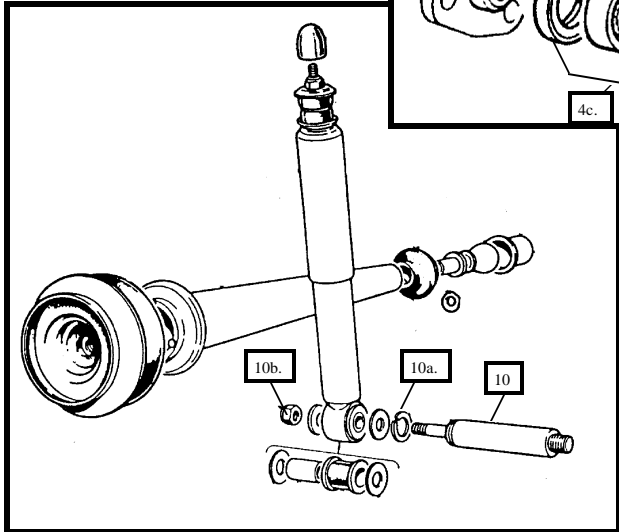
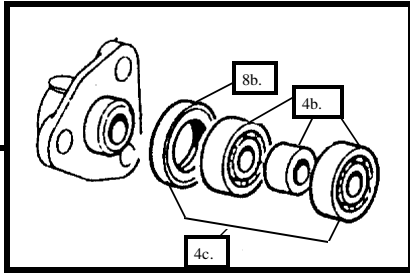
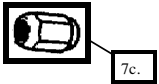
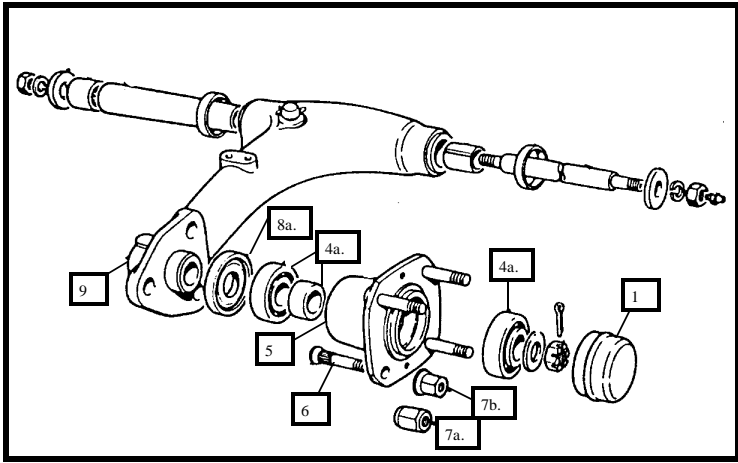
		Qty. Req'd.
1.	2A4362	Lower Wishbone Shaft-----2
2.	2A4294	Bush - Wishbone Arm - Rubber - to '65 -----4
2.	21A1882	Bush - Wishbone Arm - Rubber with Steel Insert - '66 on ----4
2.	21A1882P	Bush - Wishbone Arm - Polyurathane -----4
2k.	MM580	Front Bush Kit - Polyurathane - Wishbone & Tie Bar-----8
4.	21A1879	Wishbone Arm - R/Hand -----1
4.	21A1881	Wishbone Arm - L/Hand -----1
4a.	AJ3363	Lower Arm 'A' adjustable - 1 pair - (not shown) -----1
5.	BTA377	Ball Joint Rubber Boot-----4
6.	G5J166	Ball Joint Kit - Upper & Lower 1 Side -----2
12.	MM517	Grease Fitting - Straight -----4
13.	21A371	Swivel Hub - R/Hand -----1
13.	21A372	Swivel Hub - L/Hand -----1
13.	BTA186	Swivel Hub - R/Hand - Cooper & 'S' - Reco Only-----1
13.	BTA187	Swivel Hub - L/Hand - Cooper & 'S' - Reco Only-----1
14.	2A4314	Dowel - Steering Arm Locating -----4
15.	21A73	Steering Arm - R/Hand - MKI - to '68 -----1
15.	21A74	Steering Arm - L/Hand - MKI - to '68 -----1
15.	BTA896	Steering Arm - R/Hand - MK2 & MK3 - '68 to '80-----1
15.	BTA897	Steering Arm - L/Hand - MK2 & MK3 - '68 to '80-----1
15.	BTA894	Steering Arm - R/Hand - Cooper 'S' -----1
15.	BTA895	Steering Arm - L/Hand - Cooper 'S' -----1
16.	2K5377	Locktab - Steering Arm Bolt -----2
16a.	2A4315	Bolt - Steering Arm-----4
17.	2A4327	Shaft Retaining Plate-----2
18.	2A4326	Thrust Collar -----2
19.	2A7327	Grease Sealing Ring - Rubber-----4
20.	2A4325	Upper Arm Support Shaft-----2
21.	2A7324	Thrust Washer -----2
22.	88G302	Bearing - Needle Roller-----4
22k.	MM060	Upper Suspension Arm Kit - Includes 17 thru 22 -----2



FRONT SUSPENSION CONT'D

Qty. Req'd.

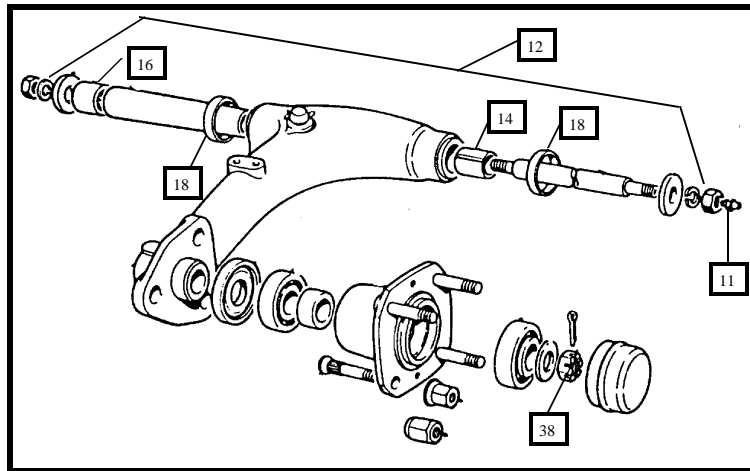
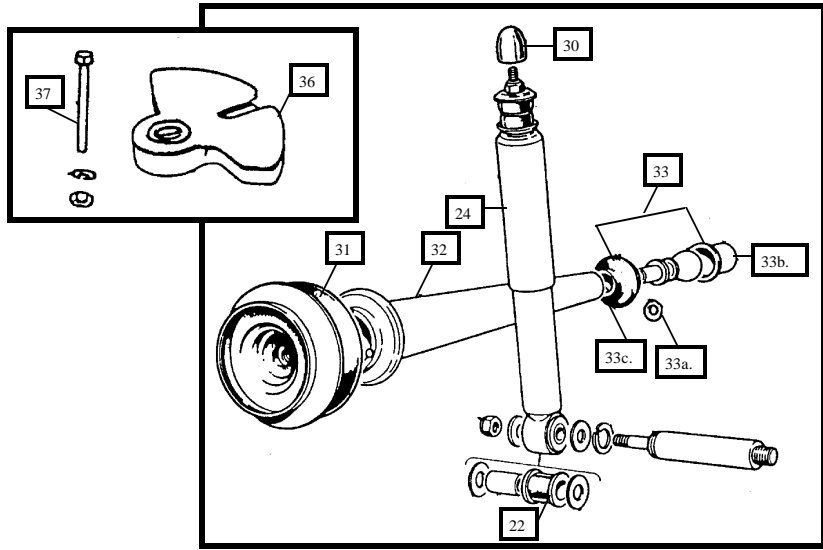
23.	21A2690	Upper Suspension Arm Assembly – R/Hand – Dry Susp.	-----1
23.	21A2691	Upper Suspension Arm Assembly – L/Hand – Dry Susp.	-----1
23.	21A1479	Upper Suspension Arm Assembly – R/Hand – Wet Susp.	-----1
23.	21A1482	Upper Suspension Arm Assembly – L/Hand – Wet Susp.	-----1
24.	MM518	Grease Fitting – Angled	-----2
25.	2A4267	Upper Arm Droop Stop Buffer	-----2
25a.	13H2776	Buffer Screw	-----2
26.	2A4332	Rebound Buffer – Dry Suspension to '76	-----2
26a.	FAM2764	Rebound Buffer – Dry Suspension - '77 to '80	-----2
26b.	21A1598	Rebound Buffer – Hydrolastic (Wet) Suspension	-----2
27.	21A2633	Suspension Rubber Cone – to '76 – Std. Thread – NLA (use FAM3968)	-----2
27.	FAM3968	Suspension Rubber Cone – '77 to '80 – Metric Thread	-----2
28.	21A530	Front Strut – Aluminum	-----2
29.	MM916	Knuckle Lift Washer	-----2
30.	21A1163	Knuckle Assembly – Ball, Cup & Rubber Boot	-----2
32.	21A423	Knuckle Cup Only – Nylon	-----2
32a.	21A425	Knuckle Boot Only – Rubber	-----2
33.	GSA388	Shock Absorber – Front	-----2
33.	MM730	Shock Absorber KYB – Front – Gas	-----2
33.	MM1137	Shock Absorber GMAX – Front – Gas	-----1
34.	21A471	Shock Mount Bracket – R/Hand	-----1
34.	21A474	Shock Mount Bracket – L/Hand	-----1
35.	21A1230	Shock Absorber Bush	-----4
37.	2A4337	Lower Shock Pin	-----2
38.	MM847	Locknut	-----4
39.	8G4249	Tie Bar Assembly – Complete	-----2
39a.	21A1091	Tie Bar – adjustable – (1 pair)	-----1
40.	31G1155	Bush – Tie Bar – Rubber	-----4
40.	31G1155P	Bush – Tie Bar – Polyurathane	-----4
42.	MM412	Adjust-A-Ride Front Suspension Kit	-----1
42.	MM403	Adjust-A-Ride Full Kit	-----1
42.	MM412	Adjust-A-Ride Front Suspension Kit	-----1



REAR SUSPENSION & BEARINGS

Qty. Req'd.

1.	ATB4098	Grease Cap -----	2
4a.	BKS2	Rear Wheel Bearing Kit – 1 Side – Includes 8a -----	2
4b.	GHB147	Rear Wheel Bearing Kit – Cooper ‘S’ - Brgs. Only -----	2
4c.	BKS30	Rear Wheel Bearing Kit – Cooper ‘S’ - Complete -----	2
5.	21A2023	Rear Hub Assembly -----	2
5.	21A1389	Rear Hub Assembly – Cooper -----	2
5.	21A1277	Rear Hub Assembly – Cooper ‘S’ -----	2
6.	21A2064	Wheel Stud – Std 1 1/2” Long -----	8
6.	ATA7085	Wheel Stud – Cooper 2 1/8” Long -----	8
6.	21A1278	Wheel Stud – Cooper ‘S’ 2 3/8” Long -----	8
6.	MM167	Wheel Stud – Competition 2 1/2” Long -----	8
7a.	88G322	Wheel Nut – Std. -----	8
7b.	FAM5701	Wheel Nut – with Washer for Plastic Hub Cap – ‘76 to ‘80 -----	8
7c.	MM151	Wheel Nut – Chrome – Set of 16 -----	1
8a.	GHS102	Hub Seal -----	2
8b.	GHS134	Hub Seal – Cooper ‘S’ -----	2
9.	21A392	Rear Radius Arm Assembly – R/Hand – Dry Suspension -----	1
9.	21A393	Rear Radius Arm Assembly – L/Hand – Dry Suspension -----	1
9.	21A1485	Rear Radius Arm Assembly – R/Hand – Hydrolastic -----	1
9.	21A1486	Rear Radius Arm Assembly – L/Hand – Hydrolastic -----	1
10.	2A7351	Hub Spindle Shaft – R/Hand – Dry Suspension -----	1
10.	2A7364	Hub Spindle Shaft – L/Hand – Dry Suspension -----	1
10.	21A 1489	Hub Spindle Shaft – R/Hand – Hydrolastic Suspension -----	1
10.	21A1490	Hub Spindle Shaft – L/Hand – Hydrolastic Suspension -----	1
10a.	2A7352	Circlip for Spindle Shaft -----	2
10b.	MM847	Nyloc Nut -----	2



REAR SUSPENSION CONT'D

		Qty. Req'd.
11.	MM517 Grease Fitting – Straight	2
12.	8G7134 Rear Radius Arm Kit – Includes 11 to 19	2
14.	2A7325 Pivot Shaft Bush	2
16.	13H442 Pivot Shaft Bearing – Needle Roller	2
18.	2A7327 Grease Sealing Ring – Rubber	2
22.	21A1230 Shock Absorber Bush	4
24.	GSA389 Rear Shock Absorber – Std.	2
24.	GSA389 Rear Shock Absorber – Van & Wagon	2
24.	MM731 Rear Shock Absorber – Gas	2
24.	MM1138 Rear Shock Absorber GMAX – Gas	2
30.	21A640 Shock Cap – Rubber	2
31.	FAM3968 Suspension Cone – Rubber	2
32.	21A1683 Rear Suspension Strut – Aluminum – Saloon	2
32.	21A1684 Rear Suspension Strut – Aluminum – Van & Wagon	2
33.	21A1163 Suspension Knuckle Assembly	2
33a.	MM916 Lift Washer	2
33b.	21A423 Knuckle Cup Only – Nylon	2
33c.	21A425 Rubber Boot Only	2
36.	21A2454 Emergency Brake Sector	2
37.	CLZ549 Sector Bolt Assembly	2
38.	FNN410 Hub Nut – R/Hand – R/H Thread	1
38.	FNN2410 Hub Nut – L/Hand – L/H Thread	1
40.	MM413 Adjust-a-Ride – Rear Suspension Kit	1
40.	MM403 Adjust-A-Ride Full Kit	1