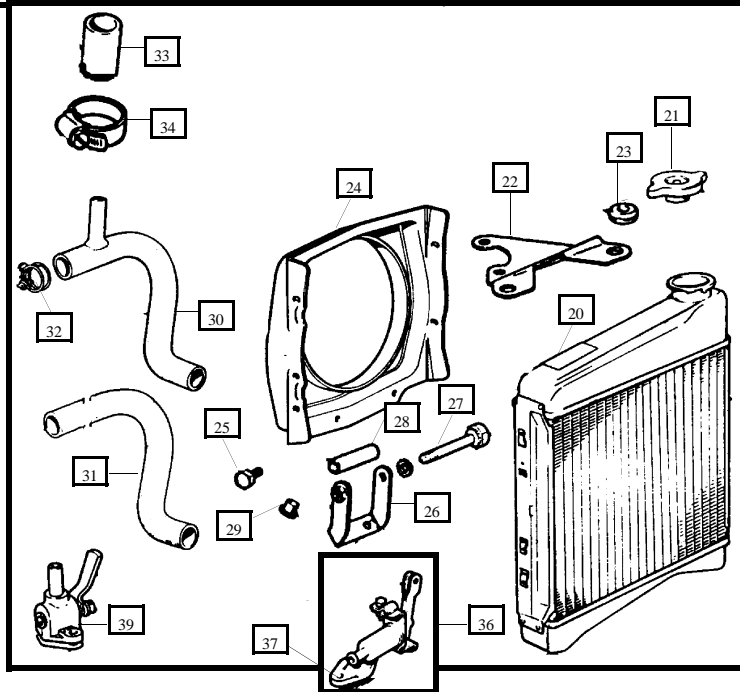
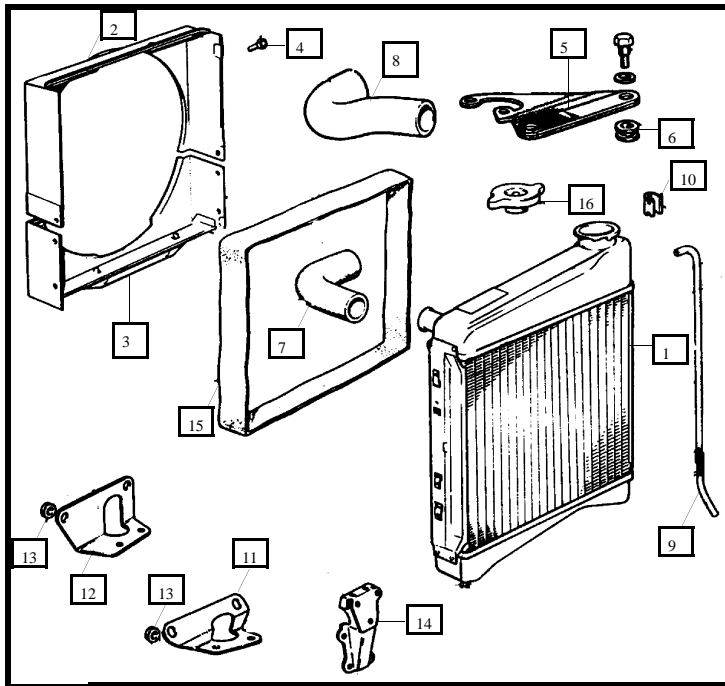
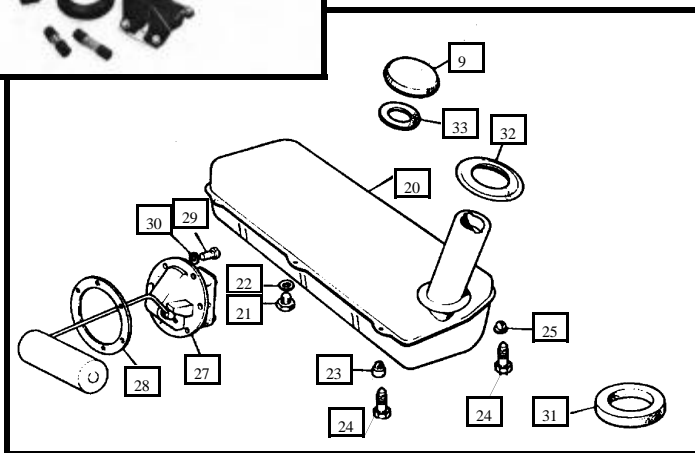
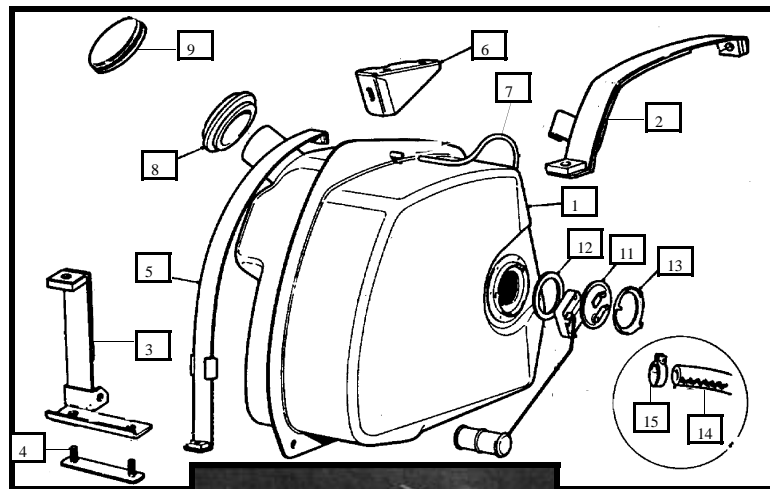


RADIATOR

Qty. Req'd.



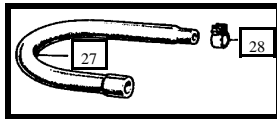
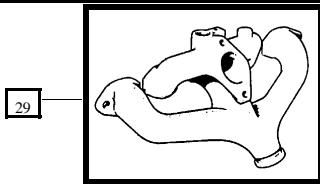
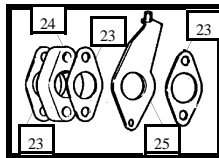
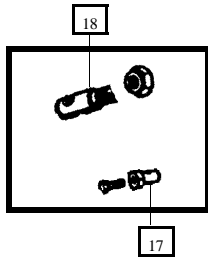
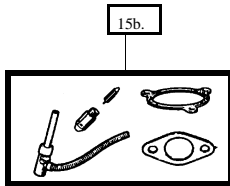
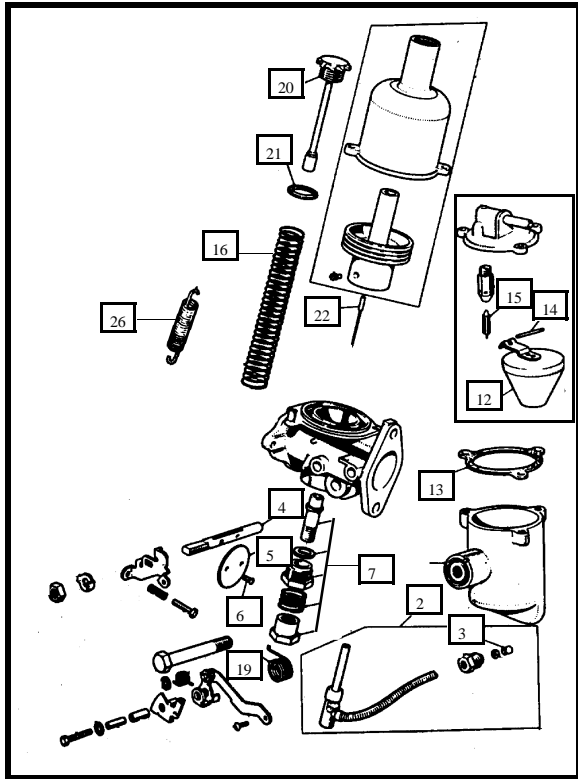
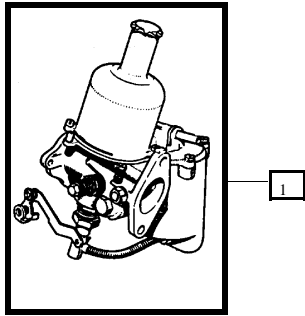
1.	MM400	Radiator – 3 Core Heavy Duty – to '73 (Exchange)	-----1
2.	ARA2768	Cowl – Top Section	-----1
3.	ARA2769	Cowl – Bottom Section	-----1
3.	ARA2770	Cowl – Bottom Section – Cooper 'S'	-----1
4.	MM896	Screw for Cowl – Self Tapping	-----6
5.	12A201	Top Support Bracket – 850cc & 998cc	-----1
5.	12G617	Top Support Bracket – Cooper 'S'	-----1
6.	11G227	Rubber Grommet – for Bracket	-----2
7.	GRH245	Top Radiator Hose	-----1
8.	GRH247	Top Radiator Hose – Cooper 'S'	-----1
9.	GRH1001	Overflow Pipe – Rubber	-----1
10.	ARA951	Clip for Overflow Pipe	-----1
11.	12G2458	Lower Support Bracket	-----1
12.	12A293	Lower Support Bracket – Cooper 'S'	-----1
13.	11G227	Rubber Grommet – for Bracket	-----2
14.	22A30	Engine & Radiator Mount Assembly (850 c.c.)	-----1
14.	12A361	Engine to Radiator Mounting bracket (not shown)	-----1
15.	14A7286	Cowl Surround – Rubber	-----1
16.	GRC111	Radiator Cap – 13 lbs. – Wide Lip Fit	-----1
20.	MM401	Radiator – 3 Core Heavy Duty – '74 to '80 (Exchange)	-----1
21.	GRC110	Radiator Cap – 15 lbs. – Narrow Lip Fit	-----1
21.	GRC126	Cap - expansion tank	-----1
22.	CAM4622	Top Support Bracket	-----1
22.	CAM4619	Top Support Bracket – '80 on	-----1
23.	CAM4414	Rubber Grommet for Bracket	-----2
24.	ARP1174	Cowl – 1 Piece	-----1
25.	SH604031	Hex Head Screw for Cowl	-----6
26.	12A2153	U Bracket – Lower Support – Engine Bracket to Rad.	-----1
27.	12G4270	Bolt – Retainer to U Bracket	-----1
28.	ARP1073	Distance Spacer	-----1
29.	CAM4618	Rubber Bush	-----1
30.	GRH240	Lower Radiator Hose	-----1
31.	12A1392	Lower Radiator Hose – No Heater Outlet	-----1
	MM1222	Silicone Hose set – 4 pcs. (not shown)	-----set
32.	MM830	Hose Clamp – Upper & Lower Hose	-----4
	MM016	Wire type hose clamp (1/2") (not shown)	-----*
	MM017	Wire type hose clamp (3/4") (not shown)	-----*
	MM018	Wire type hose clamp (1 1/2") (not shown)	-----*
	MM019	Wire type hose clamp (1 3/4") (not shown)	-----*
33.	CAM4412	Connector Pipe – Heater Outlet	-----1
34.	MM831	Hose Clamp – for Connector Pipe	-----1
35.	MM054	Heater Hose – 1/2" Diameter – Sold by Foot	-----A/R
36.	88G601	Heater Control Valve	-----1
37.	88G221	Gasket for Control Valve	-----1
39.	12A479	Water Control Valve – Brass – Manual	-----1



FUEL TANK

Qty. Req'd.

- | | | | |
|-----|----------|--|-----|
| 1. | ARP1043 | Fuel Tank – to '73 – Inside Lip Cap Fitting----- | 1 |
| 1. | ARP1044 | Fuel Tank – '74 to '78 – Outside Lip Cap Fitting----- | 1 |
| 1. | FAM9548 | Fuel Tank – '79 to '80 – Thread Cap Fitting----- | 1 |
| 2. | 21A2167 | Tank Retaining Strap – Top----- | 1 |
| 3. | 21A2172 | Tank Retaining Strap – Bottom----- | 1 |
| 4. | 21A2188 | Anchor Plate for Strap----- | 1 |
| 5. | 21A2795 | Tank Retaining Strap – 1 Piece – Early----- | 1 |
| 6. | 21A2181 | Upper Bracket for Strap----- | 1 |
| 7. | 17H8580 | Tank Vent Pipe – Nylon – 41” Long – '74 to '80----- | 1 |
| 8. | 14A7057 | Tank Neck Grommet – Rubber----- | 1 |
| 9. | GZC1506 | Gas Filler Cap – Chrome – Inside Lip Fit – to '73----- | 1 |
| | GSS154 | Gas Filler Cap – Chrome – Inside Lip Fit – to '73 – Locking -1 | |
| | GZC1376 | Gas Filler Cap – Chrome – Outside Lip Fit – '74 to '80----- | 1 |
| | FAM9545 | Gas Filler Cap – Black – Screw in Fit – '79 & '80----- | 1 |
| | GAC412 | Gas Filler Cap – Monza – Inside Lip Fit----- | 1 |
| | MM1204 | Aston Gas Cap ----- | 1 |
| 11. | ARA984 | Gas Tank Sending Unit----- | 1 |
| 12. | ARA1502 | Sending Unit Sealing Ring – Rubber----- | 1 |
| 13. | ARA1501 | Sending Unit Retaining Ring – Metal----- | 1 |
| 14. | MM860 | Fuel Line Hose – Rubber – Sold by Foot----- | A/R |
| 15. | MM833 | Hose Clamp for Fuel Hose----- | A/R |
| 16. | MM004 | Fuel Tank – Right Hand Fitting – with Hardware----- | 1 |
| 20. | 21A291 | Fuel Tank – Van, Wagon, Pick-up----- | 1 |
| 21. | ARH672 | Drain Plug----- | 1 |
| 22. | ARA967 | Drain Plug Washer----- | 1 |
| 23. | 21A304 | Nylon Insert Nut – Rear----- | 3 |
| 24. | AB614101 | Screw for Insert Nut 21A304 & 21A305----- | 3 |
| 25. | 21A305 | Nylon Insert Nut - frt. –----- | 3 |
| 27. | 21A1813 | Gas Tank Sending Unit----- | 1 |
| 28. | 2H1082 | Gasket for Sending Unit----- | 1 |
| 29. | 53K165 | Retaining Screw for Unit----- | 6 |
| 30. | 2A2088 | Washer----- | 6 |
| 31. | AHH7388 | Sealing Ring – Tank to Floor----- | 1 |
| 32. | 14A7057 | Tank Neck Grommet – Rubber----- | 1 |
| 33. | 27H3573 | Gas Cap Sealing Washer – Rubber----- | 1 |



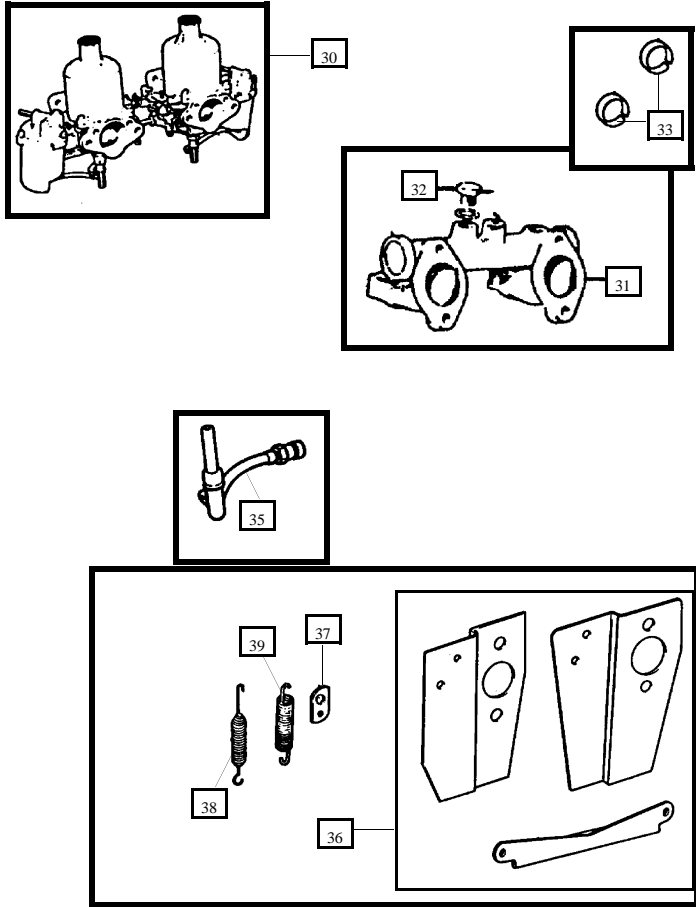
CARBURETOR

Qty. Req'd.

- | | | | |
|------|---------|---|---|
| 1. | AUD449 | Carburetor Assembly – HS2 – 1 1/4" SU----- | 1 |
| 2. | GSU420 | Jet Assembly – Black ----- | 1 |
| 3. | AUD2194 | Jet Pipe Seal – Rubber ----- | 1 |
| 4. | WZX1310 | Throttle Shaft----- | 1 |
| 5. | AUC2169 | Throttle Disc----- | 1 |
| 6. | AUC1358 | Attachment Screw – for Disc----- | 2 |
| 7. | WZX1341 | Jet Bearing Assembly Kit – 5 Pieces----- | 1 |
| 12. | GSU200 | Float Assembly-- ----- | 1 |
| 13. | GSU550 | Gasket – Float Bowl Cap----- | 1 |
| 14. | AUC1152 | Hinge Pin – for Float----- | 1 |
| 15. | WZX1101 | Needle Valve & Seat – Float Bowl ----- | 1 |
| | MM466 | Groser Jet – Needle Valve Replacement----- | 1 |
| 15b. | MM342 | Carb Rebuild Kit – Jet, Needle, Valve & Gaskets ----- | 1 |
| 16. | AUC4387 | Piston Spring – RED----- | 1 |
| 17. | B562 | Solderless Nipple – Choke Cable Attachment----- | 1 |
| 18. | B567 | Solderless Nipple – Throttle Cable Attachment ----- | 1 |
| 19. | AUC8462 | Spring – Pick-up Lever ----- | 1 |
| 20. | AUC8103 | Filler Cap & Damper ----- | 1 |
| 21. | AUC9400 | Fibre Washer ----- | 1 |
| 22. | AUD1149 | Carb Mixture Needle – Fixed Type – EB – 850cc----- | 1 |
| 22. | AUD1227 | Carb Mixture Needle – Fixed Type – GX – Std. – 998cc ----- | 1 |
| 22. | AUD1211 | Carb Mixture Needle – Fixed Type – GG – Weak – 998cc ----- | 1 |
| 22. | AUD1261 | Carb Mixture Needle – Fixed Type – M – Rich – 998cc ----- | 1 |
| | NZX8010 | Carb Mixture Needle – Fixed Type – BDK ----- | 1 |
| 23. | 1G2624 | Gasket – Carb to Manifold----- | 3 |
| 24. | 12A6 | Distance Piece--- ----- | 1 |
| 25. | 12A48 | Carb Base Bracket – 850cc ----- | 1 |
| 26. | 21A839 | Throttle Return Spring ----- | 1 |
| 27. | 12A1735 | Hose – Valve Cover to Carb ----- | 1 |
| 28. | MM832 | Hose Clamp----- | 1 |
| 29. | 12A1092 | Manifold (Inlet & Exhaust), Cast Iron – Used Only 850c.c. --- | 1 |
| 29. | 12G3279 | Manifold (Inlet & Exhaust), Cast Iron – Used Only 998c.c. --- | 1 |

CARBURETOR CONT'D

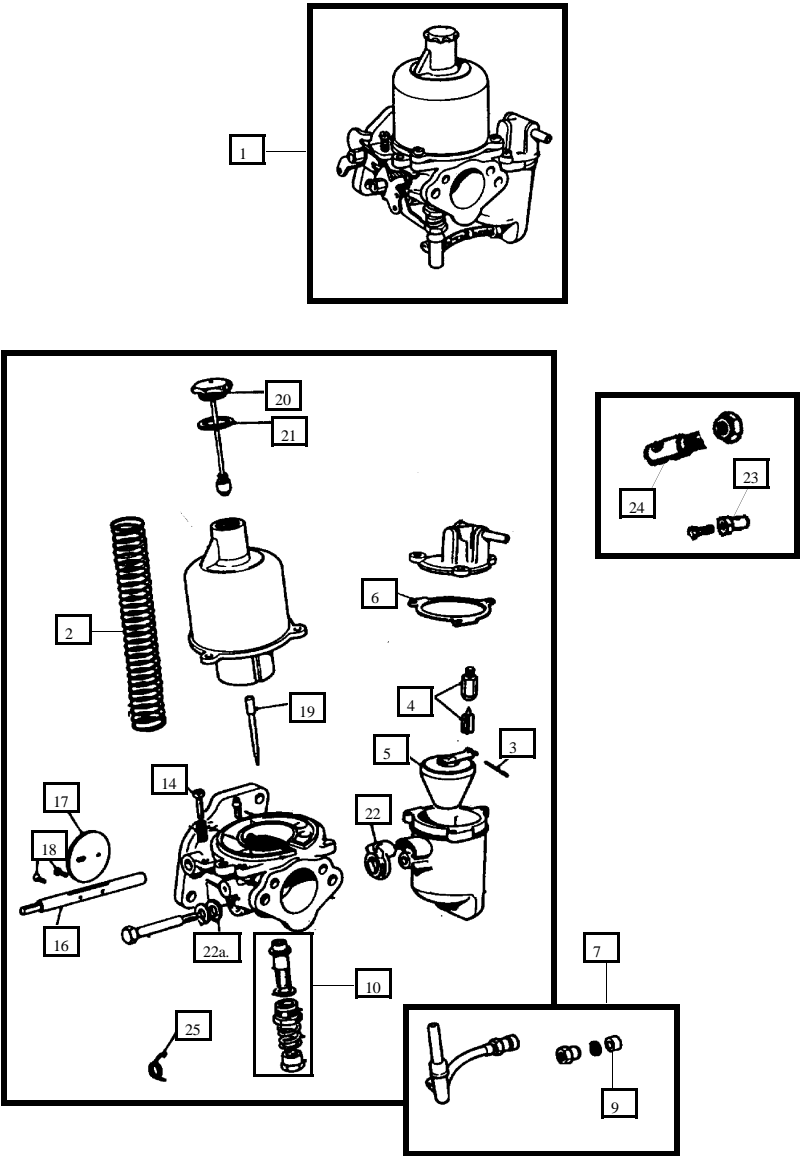
Qty. Req'd.



30.	MM286	Dual Carb Kit – 1 1/4” -Carbs on Intake Manifold – Rebuilt --	1
31.	AEG179	Dual Carb Intake Manifold Only --	1
	MM344	Intake Manifold water heated (not shown) -----	1
32.	536577	Plug – Intake Manifold -----	1
33.	12G297	Locating Ring – Intake to Cylinder Head -----	2
35.	GSU431	Carb Jet – Dual Set Up – R/H -----	1
35.	GSU423	Carb Jet – Dual Set Up – L/H -----	1
35.	MM592	Carb Jet – Universal -----	1
37.	12A1282	Carb Spring Anchor Tag -----	1
38.	AEC2075	Choke Return Spring -----	2
39.	21A839	Throttle Return Spring -----	1
	MM593	Carb Kit – HIF44 -----	1
	MM525	Carb Kit – 1 1/2” SU – ‘79 to ‘80 - -----	1
	MM342	Carb Rebuild Kit – 1 1/4” SU -----	1

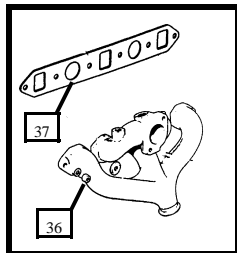
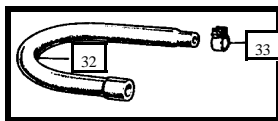
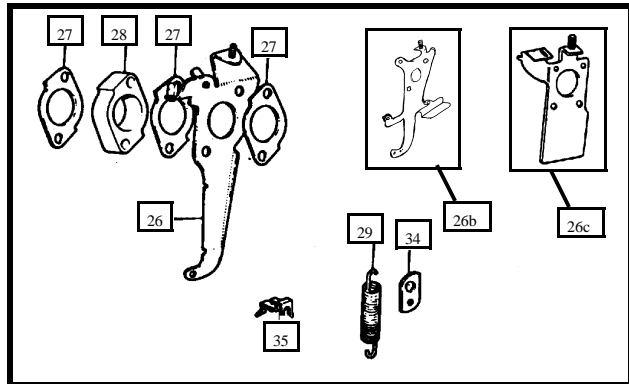
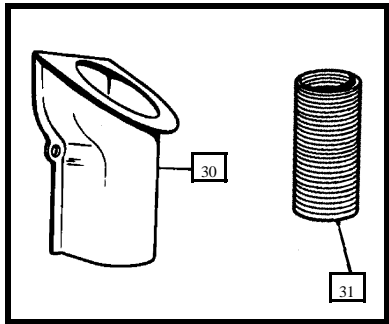
CARBURETOR CONT'D

Qty. Req'd.



- 1. AUD184 Carb Assembly – HS4 1 1/2” SU – ‘69 to ‘77 Plastic Jet -----1
- 1. AUD618 Carb Assembly – HS4 1 1/2” SU – ‘78 to ‘80 Steel Jet-----1
- 1. FZX1315 Carb Assembly – HS4 1 1/2” SU – ‘85 on UK Steel Jet-----1
- 2. AUC4387 Piston Spring – RED-----1
- 3. AUC1152 Float Hinge Pin - -----1
- 4. WZX1101 Needle Valve & Seat – Float Bowl -----1
- 4. MM466 Grose Jet – Ball Seating -----1
- 5. GSU200 Float Assembly-- -----1
- 6. GSU550 Gasket – Float Bowl Cap-----1

- 7. GSU424 Jet Assembly – Black – Plastic – Fixed Needle – ‘59 to ‘70----1
- 7. GSU426 Jet Assembly – Red – Plastic – Spring Needle – ‘71 to ‘76----1
- 7. GSU450 Jet Assembly – Steel – Spring Needle – ‘77 to ‘80 -----1
- 9. AUD2194 Jet Pipe Seal – Rubber -----1
- 10. WZX1341 Jet Bearing Assembly Kit – Fixed Needle-----1
- 10. WZX1342 Jet Bearing Assembly Kit – Spring Needle -----1
- 14. AUC8483 Idle Adjustment Screw-----1
- 16. WZX1177 Throttle Shaft – 1 1/2”-----1
- 17. AUC3116 Throttle Disc – 1 1/2”-----1
- 18. AUC1358 Attachement Screw for Throttle Disc-----2
- 19. AUD1149 Carb Mixture Needle – Fixed Needle – EB – Weak-----1
- 19. AUD1479 Carb Mixture Needle – Fixed Needle – AN – Std -----1
- 19. AUD1242 Carb Mixture Needle – Fixed Needle – H6 – Rich -----1
- 19. CUD1006 Carb Mixture Needle – Spring Needle – AAG – Weak -----1
- 19. CUD1032 Carb Mixture Needle – Spring Needle – ABJ – Std-----1
- 20. AUC8103 Filler Cap & Damper -----1
- 21. AUC4900 Fibre Washer ---- -----1
- 22. AUD2071 Bush – Float Bowl - Metal -----1
- 22. AUD2676 Bush – Float Bowl – Rubber-----1
- 22a. AUC1318 Bush – Carb Body – Rubber -----1
- 23. B562 Solderless Nipple – Choke Cable Attachment-----1
- 24. B567 Solderless Nipple – Throttle Cable Attachment -----1
- 25. AUC1375 Spring – Pick-up Lever -----1



CARBURETOR CONT'D

Qty. Req'd.

26.	12G766	Carb Base Bracket – 1 1/2” - ‘69 to ‘73	-----1
26a.	MM590	Carb Base Bracket – 1 1/2” - ‘74 to ‘77	-----1
26b.	MM591	Carb Base Bracket – 1 1/2” - ‘78 to ‘80	-----1
26c.	CAM4942	Carb Base Bracket – HIF Carbs – ‘82 on	-----1
27.	AEC2083	Gasket – Carb to Bracket & Manifold	-----3
28.	12H1389	Distance Piece – 1 1/2” Carb	-----1
29.	21A839	Throttle Return Spring	-----1
30.	12G3213	Warm Air Duct	-----1
31.	12H4344	Warm Air Hose	-----1
32.	12A1735	Hose – Valve Cover to Carb – Rubber	-----1
33.	MM832	Hose Clamp	-----1
34.	12A1282	Return Spring Anchor Tag	-----1
35.	13H3472	Choke Cable Retaining Clip	-----1
36.	12G3279	Manifold – Intake & Exhaust – 1 1/2” Single Carb	-----1
37.	GEG601	Manifold Gasket	-----1